

# IP67 Industrial Peristaltic Pump

Model : HP350

Flow Rate : 0.01-3337mL/min

IP rate : IP67



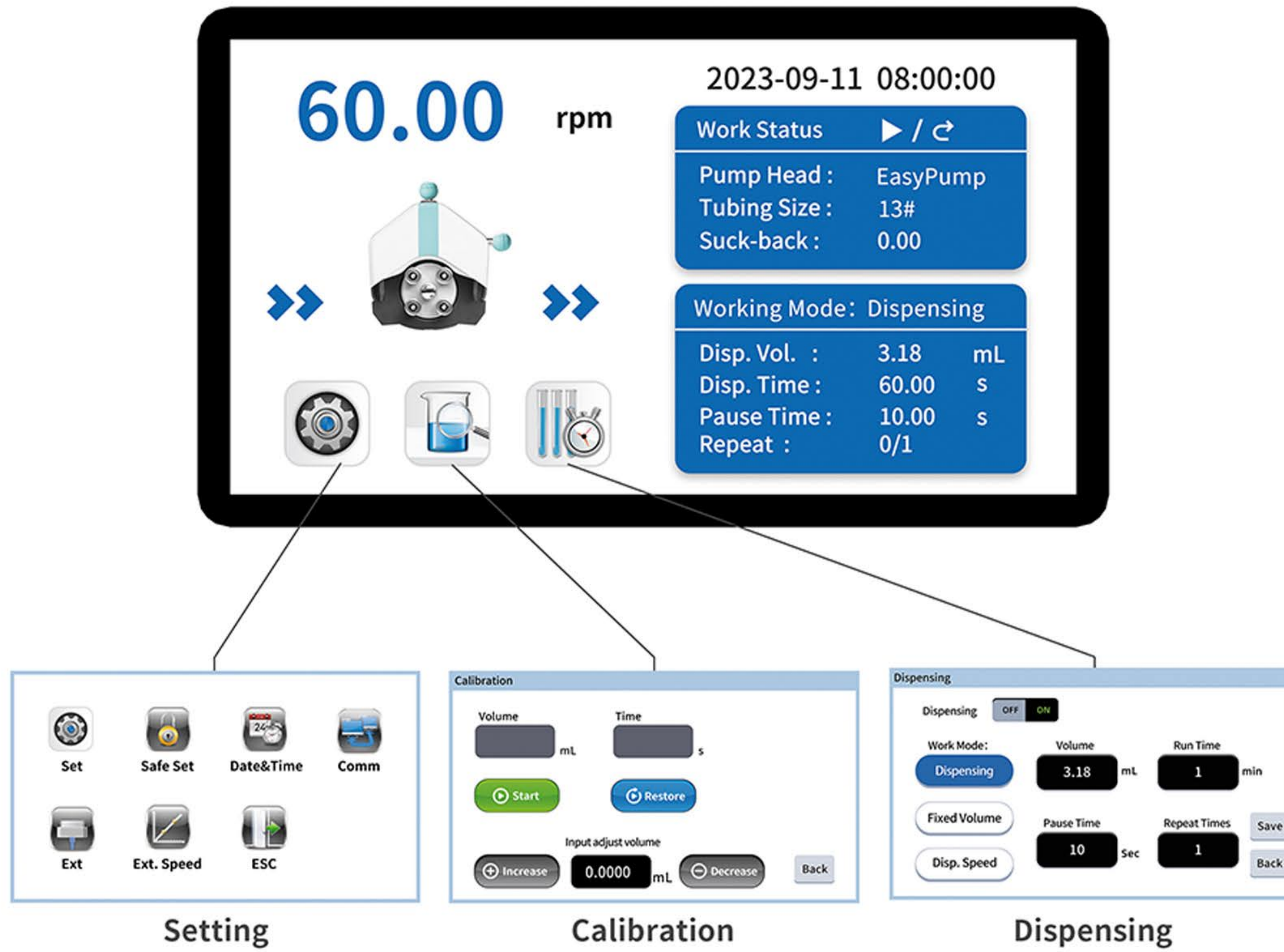
## Introduction

- The pump shell protection level is IP67, special designed for industrial environment. The pump has 6 types of sealing structures, which can withstand various harsh hot and humid environments, ensure long-term stable operation of the pump.
- Intelligent control system, support transferring and dispensing function.
- 4.3 inch touch screen, easy operation, easy parameter setting and calibration.

## Product Features

- IP67 protection rating, special designed for industrial environment.
- Intelligent control system.
- Passed EMC test Excellent anti-electromagnetic interference.
- The automatic pressure control device ensures internal and external pressure balance.
- Inside and outside of the external control interface are both circuit isolation.
- High precision servo motor.
- Casting shell with excellent heat dissipation performance.

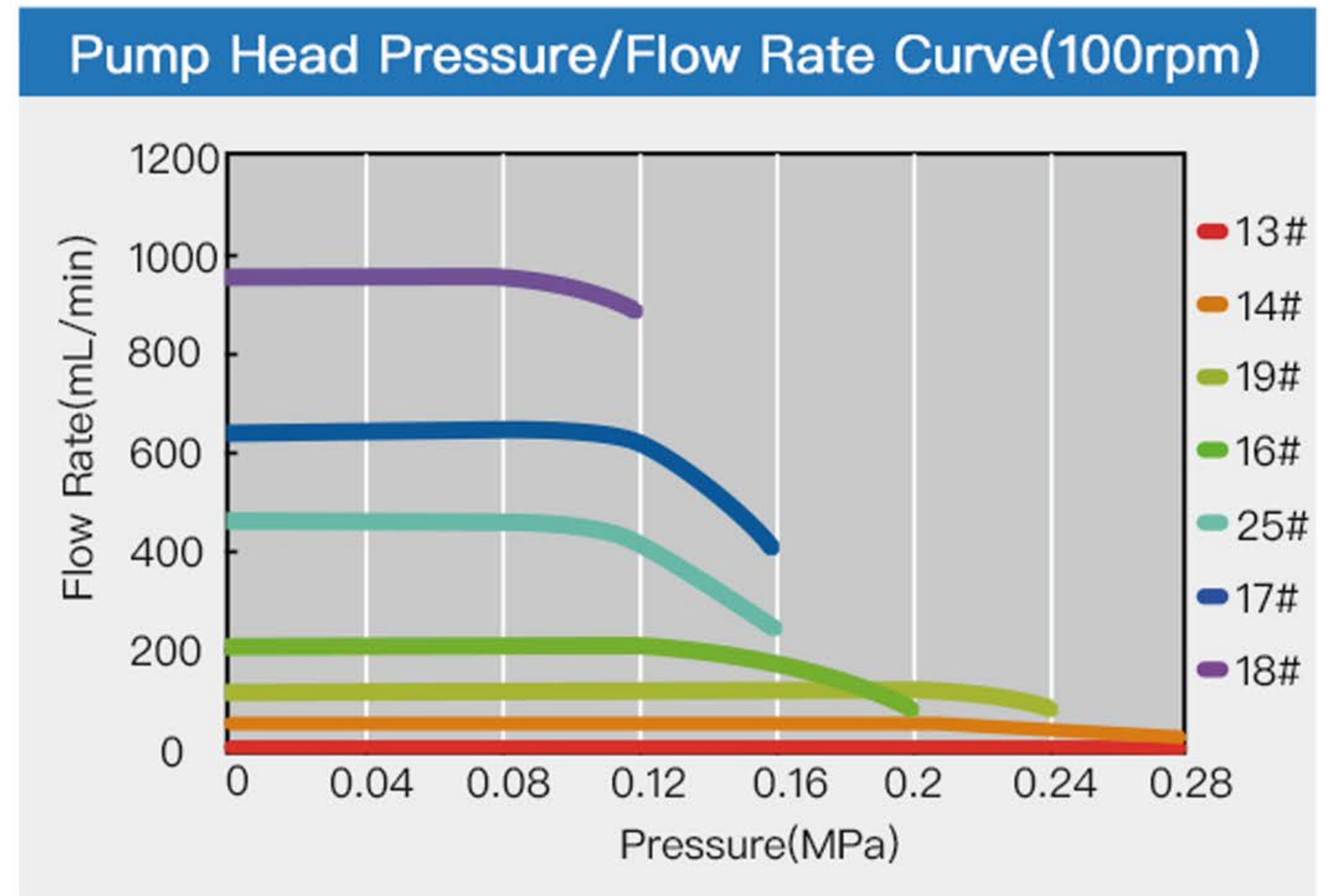
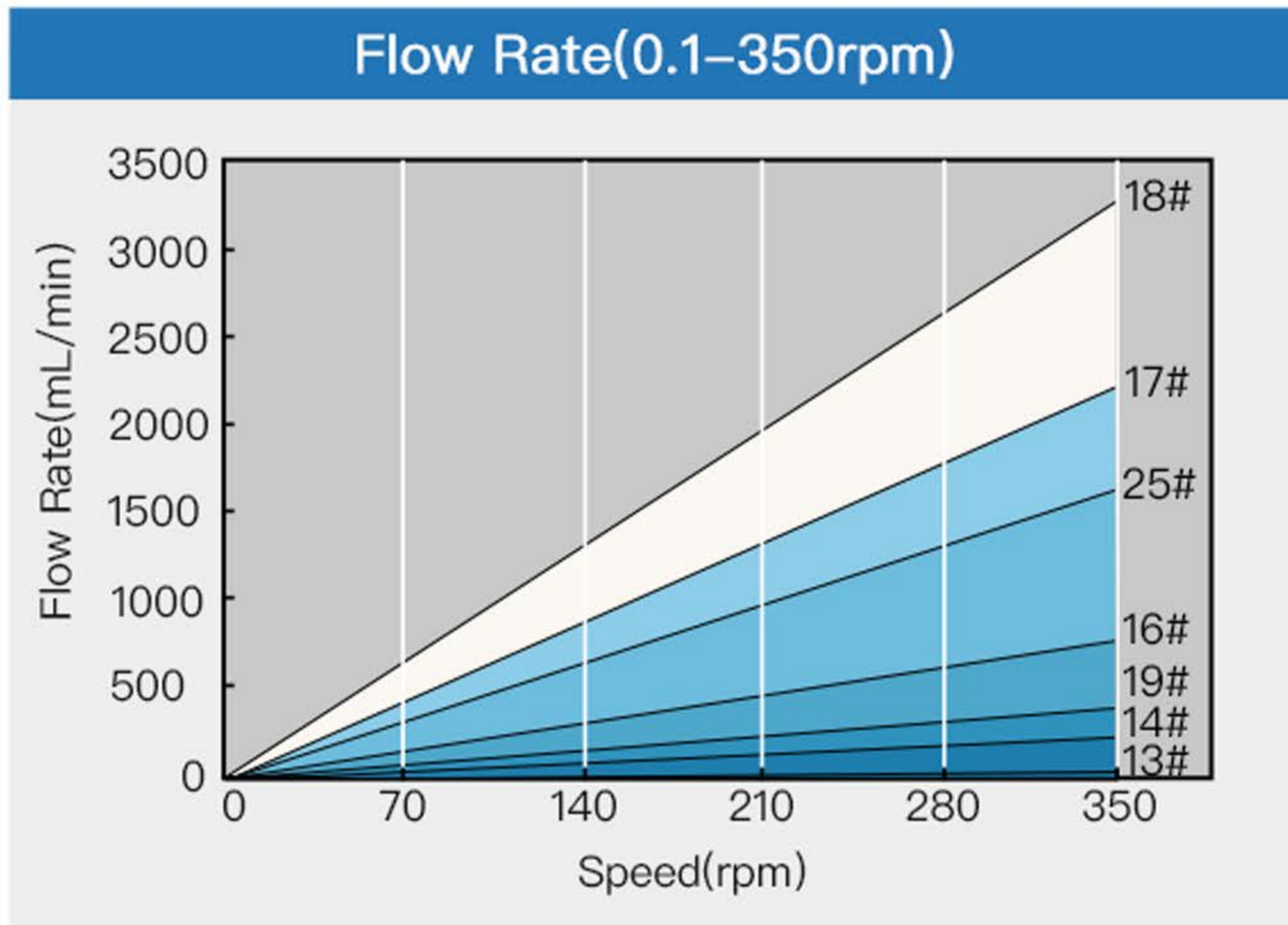
## Control Interface



## Pump Head



Flow Rate									
Drive	Pump Head	Housing Material	Tube Clamp Material	Tubing		mL/r	Speed (rpm)	Flow Rate (mL/min)	Weight (kg)
				Size	IDxWall Thickness				
HP350	DY15	Aluminum alloy	Polyamide	13#	0.8x1.6(mm)	0.14	0.1-350	0.01-48	3.2
				14#	1.6x1.6(mm)	0.64		0.06-223	
				19#	2.4x1.6(mm)	1.28		0.13-448	
				16#	3.1x1.6(mm)	2.07		0.2-723	
				25#	4.8x1.6(mm)	4.65		0.47-1626	
				17#	6.4x1.6(mm)	6.37		0.64-2230	
				18#	7.9x1.6(mm)	9.53		0.95-3337	

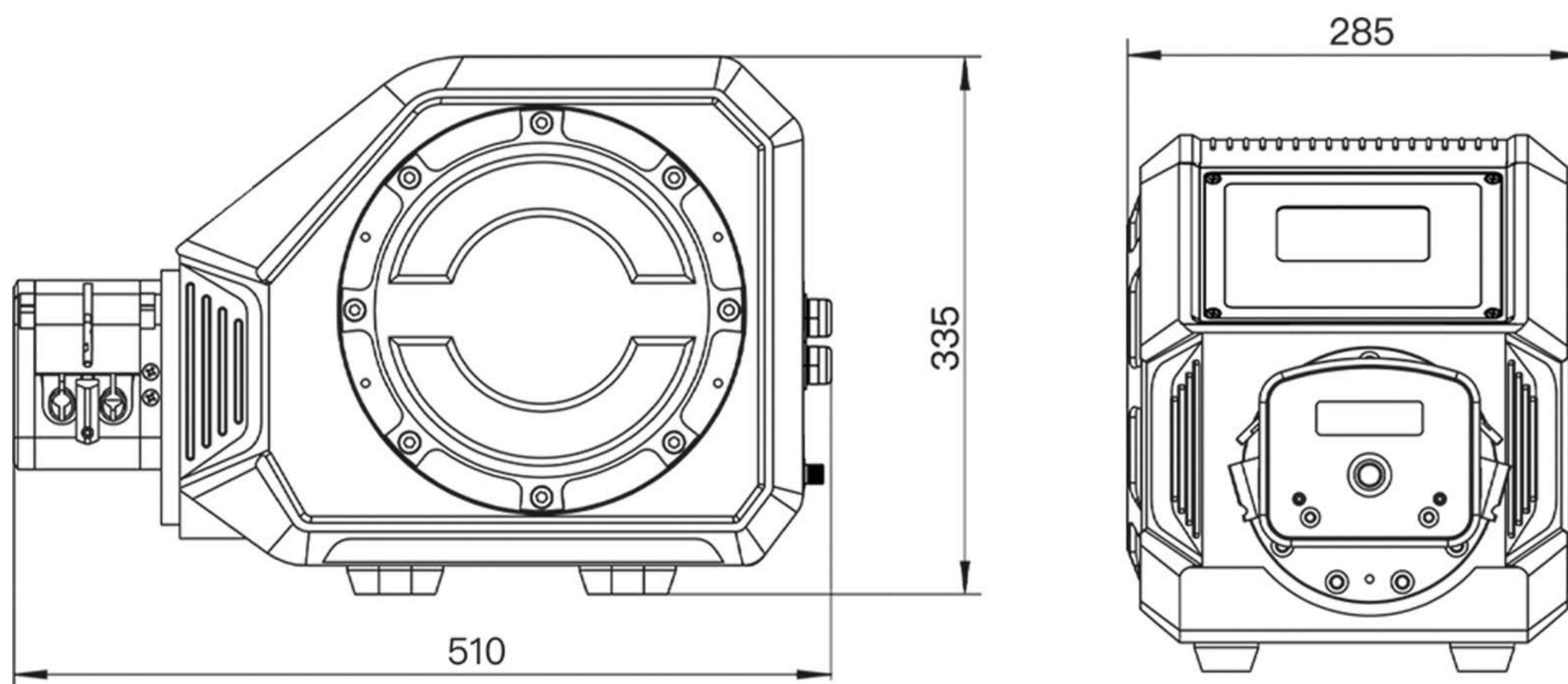


### Filling Volume Reference Parameter

Drive	Pump Head	Tubing	Filling Volume(mL)	Filling Time(s)	Accuracy(±%)	Output (pcs/min)	Motor Speed(rpm)
HP350	DY15	14#	0.5	0.5	1	30	94.2
		14#	1	0.6	0.8	38	157.0
		14#	3	1	0.5	30	282.6
		19#	5	1	0.8	30	234.4
		16#	15	1.5	0.5	24	290.4
		25#	20	1	0.5	30	258.3
		17#	30	1	0.5	30	282.5
		18#	100	2.5	0.5	17	251.7

Experimental conditions: Standard atmospheric pressure, room temperature at 20°C, the liquid is pure water, no pressure, no suction and lift.  
 Note: Actually, it is affected by many factors such as transmission medium, inlet and outlet pressure, hose material and error, working environment, etc. This data is for reference only.

### Dimension Drawing(mm)





## Specifications

Standard	GB/T4208-2017, Q/BSC01-2019
Housing material	Aluminum Alloy
Speed range	0.1-350rpm
Speed resolution	0.01rpm
Display	4.3 inch -Industrial grade - True color LCD screen
Control method	Touch screen, mechanical buttons, external signal, communication
Working mode	Flow rate mode, Dispensing mode.
Flow rate mode	Continuous transferring according to the set flow rate or motor speed.
Dispensing mode	Fixed time and volume dispensing: Set the dispensing volume, dispensing time, repeat number and pause time.
	Fixed volume dispensing: Set the dispensing volume, flow rate, repeat number and pause time.
	Speed/time dispensing: Set the motor speed (rpm), dispensing time, repeat number and pause time.
Dispensing volume	0.1mL-9999L
Dispensing time	0.1sec-9999hours
Pause time	0.5sec-9999sec
Repeat number	1-9999 times, 0 represents unlimited
Calibration function	Input actual volume and calibrate automatically
Back suction angle	0-360°
Communication	RS485, RS232
Communication protocol	Modbus protocol(RTU mode)
External control speed signal	0-5V, 0-10V, 4-20mA (For option)
External control signal input	Active switch signal (5-24V) control start/stop, direction and full speed; Passive switch signal control start/stop.
Signal output	Open collector output working status.
Lock screen function	Prevent accidental touches.
Password protection function	Prevent misoperation.
Drive dimension	428mm*285mm*335mm(L×W×H)
Power supply	220VAC / 110VAC, 50Hz
Rated power	300W
Relative humidity	<90%
Condition temperature	0-40°C
IP rate	IP67
Drive weight	21.5kg