



Flow Rates Peristaltic Pump

Model No. : LabF1

Flow Rate : 0.0002-570mL/min



Product Features

Imported 4.3" industrial grade color LCD screen display, with touch screen control.

Can preset dispensing volume, dispensing time, pause time and copy numbers.

With intelligent calibration function and online micro adjusting function.

The pump can store 60 commonly used filling modes.

Back suction angle setting, avoid liquid drop off when the pump stops working.

Two working mode:Volume dispensing and speed dispensir(special for viscous liquid)

Can communicate with balance, closed-loop control.

Screen Display

Display area for dispensing volume

Display area for dynamic working

Display area for running parameter

Display area for setting parameter

Function setting are changeable by touching

Volume dispensing interface

Speed dispensing interface

Repeat numbers interface

Pump Head



AMC Series



YZ Series

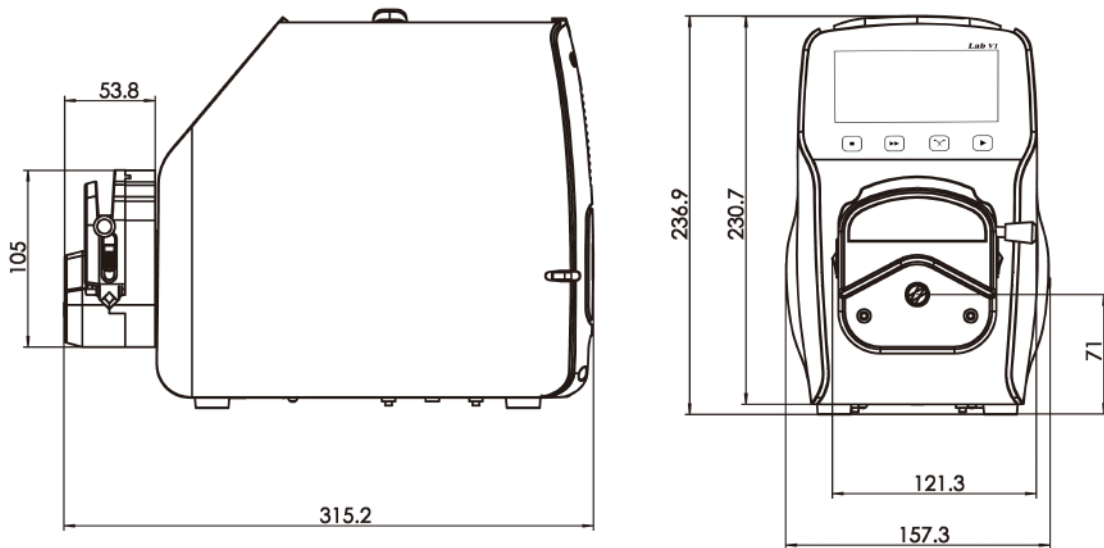
Drive&Speed	Pump Head	Tubing Size	Flow Rate(mL/min)
LabF1 0.1-150rpm	AMC1-AMC12(10)	Inner diameter:0.13~3mm Wall thickness: 0.8~1mm	0.0002-48(suggestion working speeds≤150rpm)
	AMC1-AMC12(6)		0.0002-65(suggestion working speeds≤150rpm)
	YZ1515x	13#, 14#, 19#, 16#, 25#, 17#, 18#	0.007-570
	YZ2515x	15#, 24#	0.17-435



Technical Specifications

Flow rate range	0.0002-570mL/min	Keypad lifetime	300,000 times
Speed range	0.1-150rpm	Start/stop, direction signal	Passive switch signal, such as foot pedal switch; Active switch signal: 5-24V universal
Speed resolution	0.01rpm		
Dispensing volume range	0.1-9999.99mL	Output interface	Output motor working status (Open-Collector output)
Dispensing volume resolution	0.01mL		
Dispensing time	0.1-9999.99S	Communication interface	RS232, RS485 Modbus protocol (RTU mode)
Pause time	0.1-9999.99S		
Time resolution	0.01s	Power supply	AC 220V±10% 50Hz/60Hz (standard) AC 110V±10% 50Hz/60Hz (optional)
Copy numbers	1-9999 times, setting'0' means unlimited		
Back suction angle	0-360°	Drive dimension (L×W×H)	261.4×157.3×236.9 mm
Dispensing accuracy	< +0.5%	Drive weight	4.40 kg
Motor type	Stepper motor	Power consumption	<80W
Display	Industrial grade 4.3" color LCD display	Condition temperature	0-40°C
Control method	Touch screen and Mechanical keypad	Relative humidity	<80%

Dimension Drawing (Unit:mm)





Flow Rates Peristaltic Pump

Model No. : LabF3

Flow Rate : 0.0002-1330mL/min



Product Features

Imported 4.3" industrial grade color LCD screen display, with touch screen control.

Can preset dispensing volume, dispensing time, pause time and copy numbers.

With intelligent calibration function and online micro adjusting function.

The pump can store 60 commonly used filling modes.

Back suction angle setting, avoid liquid drop off when the pump stops working.

Two working mode:Volume dispensing and speed dispensir(special for viscous liquid)

Can communicate with balance, closed-loop control.



Screen Display

Display area for dispensing volume

Display area for dynamic working

Display area for running parameter

Display area for setting parameter

Function setting are changeable by touching

Volume dispensing interface

Speed dispensing interface

Repeat numbers interface

Pump Head



AMC Series



YZ Series

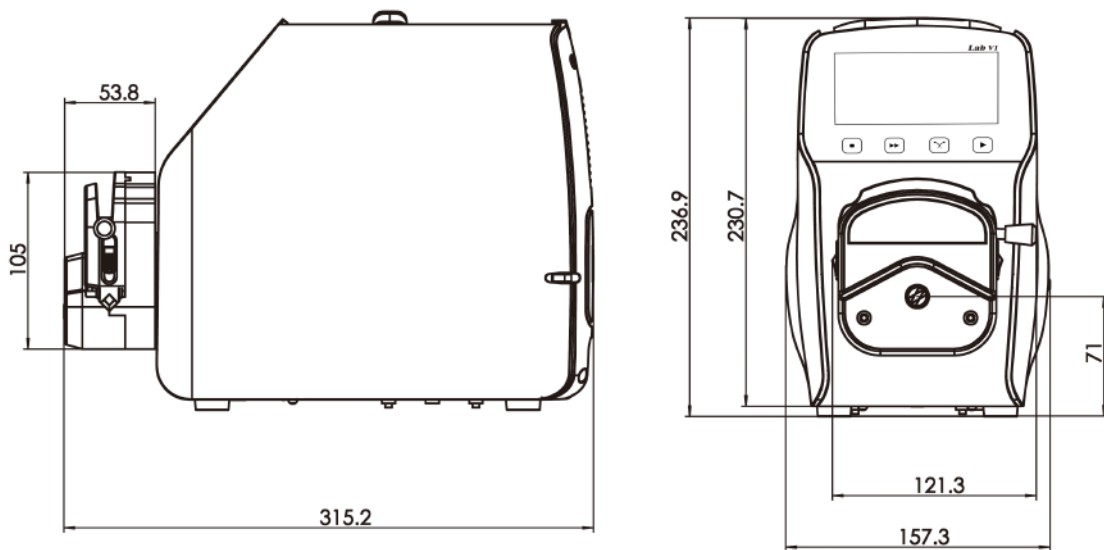
Drive&Speed	Pump Head	Tubing Size	Flow Rate(mL/min)
LabF3 0.1-350rpm	AMC1-AMC12(10)	Inner diameter:0.13~3mm Wall thickness: 0.8~1mm	0.0002-48(suggestion working speeds≤150rpm)
	AMC1-AMC12(6)		0.0002-65(suggestion working speeds≤150rpm)
	YZ1515x	13#, 14#, 19#, 16#, 25#, 17#, 18#	0.007-1330
	YZ2515x	15#, 24#	0.17-1015



Technical Specifications

Flow rate range	0.0002-1330mL/min	Keypad lifetime	300,000 times
Speed range	0.1-350rpm	Start/stop, direction signal	Passive switch signal, such as foot pedal switch; Active switch signal: 5-24V universal
Speed resolution	0.01rpm		
Dispensing volume range	0.1-9999.99mL	Output interface	Output motor working status (Open-Collector output)
Dispensing volume resolution	0.01mL		
Dispensing time	0.1-9999.99S	Communication interface	RS232, RS485 Modbus protocol (RTU mode)
Pause time	0.1-9999.99S		
Time resolution	0.01s	Power supply	AC 220V±10% 50Hz/60Hz (standard) AC 110V±10% 50Hz/60Hz (optional)
Copy numbers	1-9999 times, setting'0'means unlimited		
Back suction angle	0-360°	Drive dimension (L×W×H)	261.4×157.3×236.9 mm
Dispensing accuracy	< +0.5%	Drive weight	4.40 kg
Motor type	Stepper motor	Power consumption	<80W
Display	Industrial grade 4.3" color LCD display	Condition temperature	0-40°C
Control method	Touch screen and Mechanical keypad	Relative humidity	<80%

Dimension Drawing (Unit:mm)





Flow Rates Peristaltic Pump

Model No. : LabF6

Flow Rate : 0.0002-2280mL/min



Product Features

Imported 4.3" industrial grade color LCD screen display, with touch screen control.

Can preset dispensing volume, dispensing time, pause time and copy numbers.

With intelligent calibration function and online micro adjusting function.

The pump can store 60 commonly used filling modes.

Back suction angle setting, avoid liquid drop off when the pump stops working.

Two working mode:Volume dispensing and speed dispensir(special for viscous liquid)

Can communicate with balance, closed-loop control.



Screen Display

Display area for dispensing volume

Display area for dynamic working

Display area for running parameter

Display area for setting parameter

Function setting are changeable by touching

Volume dispensing interface

Speed dispensing interface

Repeat numbers interface

Pump Head



AMC Series



YZ Series

Drive&Speed	Pump Head	Tubing Size	Flow Rate(mL/min)
LabF6 0.1-600rpm	AMC1-AMC12(10)	Inner diameter:0.13~3mm Wall thickness: 0.8~1mm	0.0002-48(suggestion working speeds≤150rpm)
	AMC1-AMC12(6)		0.0002-65(suggestion working speeds≤150rpm)
	YZ1515x	13#, 14#, 19#, 16#, 25#, 17#, 18#	0.007-2280
	YZ2515x	15#, 24#	0.17-1740



Technical Specifications

Flow rate range	0.0002-2280mL/min	Keypad lifetime	300,000 times
Speed range	0.1-600rpm	Start/stop, direction signal	Passive switch signal, such as foot pedal switch; Active switch signal: 5-24V universal
Speed resolution	0.01rpm		
Dispensing volume range	0.1-9999.99mL	Output interface	Output motor working status (Open-Collector output)
Dispensing volume resolution	0.01mL		
Dispensing time	0.1-9999.99S	Communication interface	RS232, RS485 Modbus protocol (RTU mode)
Pause time	0.1-9999.99S		
Time resolution	0.01s	Power supply	AC 220V±10% 50Hz/60Hz (standard) AC 110V±10% 50Hz/60Hz (optional)
Copy numbers	1-9999 times, setting'0' means unlimited		
Back suction angle	0-360°	Drive dimension (L×W×H)	261.4×157.3×236.9 mm
Dispensing accuracy	< +0.5%	Drive weight	4.40 kg
Motor type	Stepper motor	Power consumption	<80W
Display	Industrial grade 4.3" color LCD display	Condition temperature	0-40°C
Control method	Touch screen and Mechanical keypad	Relative humidity	<80%

Dimension Drawing (Unit:mm)

